

SEBRIGHT MODEL SC-4260 SELF CONTAINED COMPACTOR



PERFORMANCE
with a ram force exceeding 56,000 lbs. waste is
reduced to a fraction of its original volume!



The 10 HP power unit is energy efficient featuring only brand name electrical and hydraulic components, along with a 12 gpm pump for high performance and a 44 gallon oil reservoir



The heavy-duty hinge is the strongest in the market place.



The ratchet latch tightens against the door seal and insures a tight seal.



The operator station includes: safety key lock, pull to start, push to stop, full container light, and can be mounted in any convenient location.

The Sebright Model SC-4260 is a compactor and container combined into a single efficient unit that has a built in sump with up to 1100 gallons of liquid retention capacity. Because the Model SC-4260 is designed to reduce in volume refuse that is wet, it is ideal for restaurants, supermarkets, and hospitals as well as any other location where the trash that is generated has a high amount of liquid.

The superior design and high quality workmanship of this unit along with its many built in features makes it your best value on the market today.

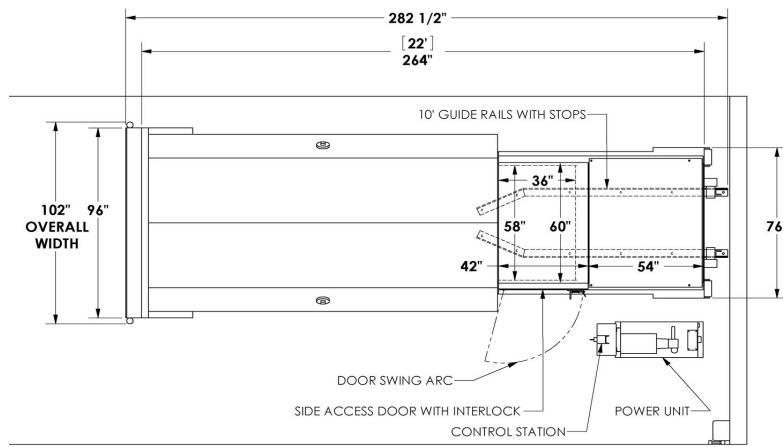
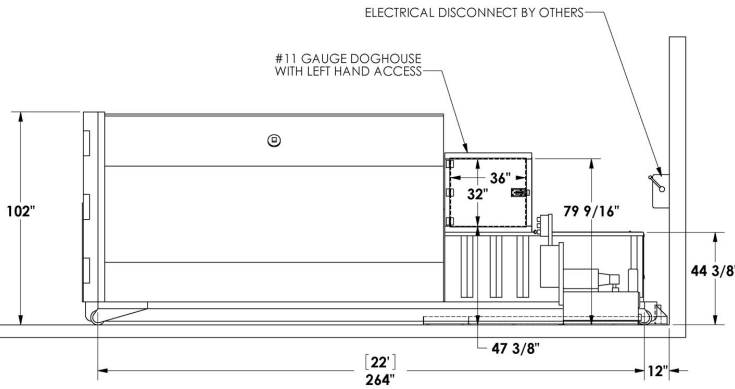
**Compactor/Leakproof
Container - in one unit!**

The Densification Specialists

Call Toll Free
1-800-253-0532
269-793-7183

Sebright Products, Inc.,
127 N. Water St.
Hopkins MI 49328





NOTE: ALL DIMENSIONS ARE IN INCHES

MODEL NUMBER	Cu. Yd.	Motor HP	Pump Gpm	No Of Cyls.	Cyl. Bore	Cyl. Stroke	Max Psi	Ram Face sq. inch	Ram Face PSI	Cyl. Force	Cycle Time	Cu. Yd. Hour	Ind. Criteria Rating	Base Unit Weight lbs
SC-4260	2	10	12	1	6	46	2,000	1,560	36.4	56,540	41	108	1.22	9,920

COMPACTOR & CONTAINER SPECIFICATIONS

Model	SC-4260-1-6-16	SC-4260-1-6-18	SC-4260-1-60-20	SC-4260-1-6-22	SC-4260-1-6-24
Total Nominal Cubic Yards	18	22	26	30	24
Compactor & Container -O.A. length	17'	19'	21'	23'	25'
Container - O.A. Height	102"	102"	102"	102"	102"
Container - O.A. Width	96"/102"	96"/102"	96"/102"	96"/102"	96"/102"
Compactor Loading - Weight	44 3/8"	44 3/8"	44 3/8"	44 3/8"	44 3/8"
Compactor Platform-O.A. width	76"	76"	76"	76"	76"
Compactor & Container weight	7,895# *	8,750# *	9,245# *	9,920# *	10,595 # *
Remote Power Unit w/Oil - Weight	1,000# *	1,000# *	1,000# *	1,000# *	1,000# *

*Weight is approximate

Compactor Container Structural Components

Compactor Floor (Reinforced AR-235-.Alloy).....	1/4"	Ram Top (Reinforced).....	1/4"
Compactor Side (Reinforced).....	3/16"	Container Floor.....	3/16"
Breaker Bar (Reinforced).....	L6X6x3/4"	Container Sides & Roof (Reinforced).....	10 ga.
Ram Floor (Reinforced).....	1/2"	Nylatron Guide Shoes.....	Std.
Ram Face (Reinforced).....	1/2"	Container Door (Reinforced).....	10 ga.
Main Rail Tubes.....	.6x2x1/4" or Optional 6x2x3/8"		



Sebright Products, Inc
 Phone: 269-793-7183 **
 Fax: 269-793-4022
 Toll Free: 800-253-0532
 www.sebrightproducts.com



While Sebright Products, Inc., strives to make the information provided on processing of your waste or recycling stream, as timely and accurate as possible, the company makes no claims, promises or guarantees about the accuracy, completeness, or adequacy of any of the provided information, and expressly disclaims liability of errors and omissions in the content of the information, or analysis provided to your company. It is solely the responsibility of each recipient of the information Sebright Products, Inc., has provided to satisfy itself as to the accuracy of the information provided by Sebright Products, Inc., and as to the efficacy of the product(s) for the use(s) intended.

Due to product improvement, the manufacturer, reserves the right to alter or amend, without notice, any of these specifications and/or dimensions.

Complete Line of Solid & Wet Waste Handling Equipment includes:

Stationary Compactors * Self Contained Compactors * Precrushers * Hydraulic Dumpers * Construction Compactors * Densifiers * High Density Extruders * Belt Filter Presses * Xtractors * X³Cyclers * Oil Filter Recycler * Conveyors