



# OIL FILTER RECYCLER

DUMP, SORT, CRUSH AND RECLAIM OIL IN ONE CLEAN OPERATION

- Heavy Duty Construction
- Superior Oil Recovery
- Containment Features for a Cleaner Workplace
- Process Up to 13 Barrels of Filters per Hour

127 N. Water St. Hopkins, MI 49328  
800-253-0532  
[www.sebrightproducts.com](http://www.sebrightproducts.com)

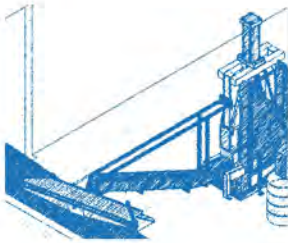


## System Options



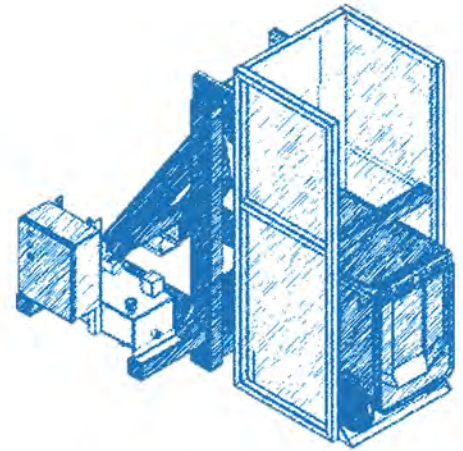
### Sorting table

- Oil collection grate & drain
- 2 refuse disposal openings
- Inclined hopper area



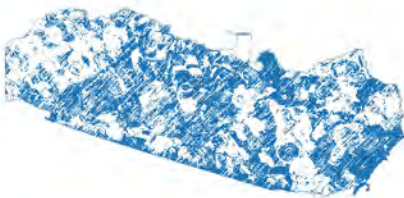
### Roll off container Distribution conveyor

- Drop filter bricks in 3 positions
- Operator adjusted drop position
- Uses gravity, no power required
- Supported by the chute & machine



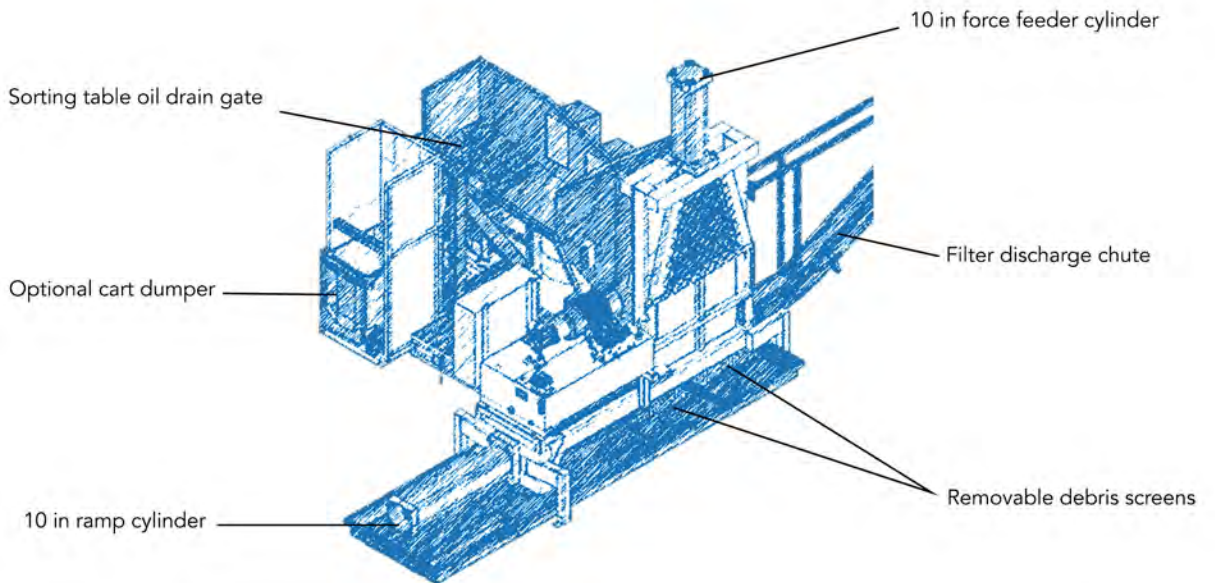
### Cart dumper

- Safe & ergonomic
- Accepts barrels or curb carts
- Design reduces oil dripsto floor



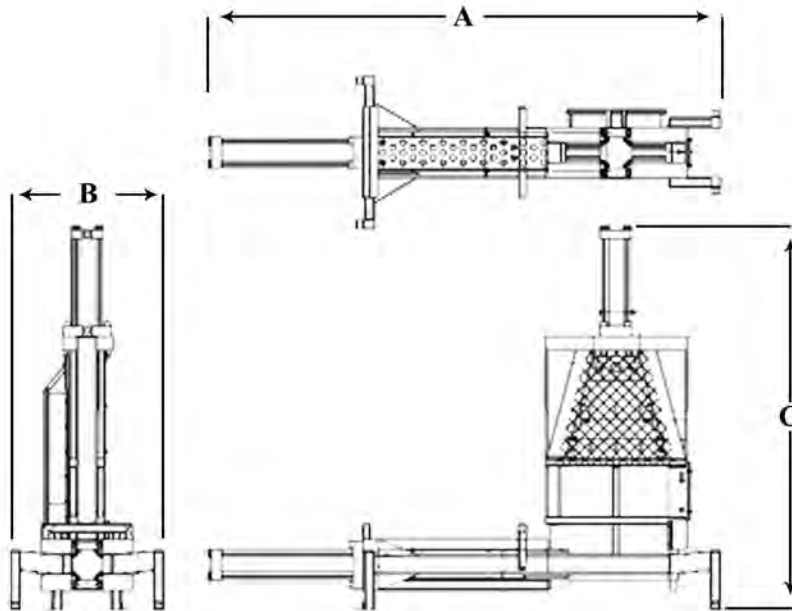
### Other options

- Left or right hand feed
- Custom feed hoppers
- Roll off containers
- Oil holding tanks



# OIL FILTER RECYCLER

- Process filters from imports to semi sizes
- Process up to 13 barrels per hour
- Superior oil recovery
- Rotating metering scoop reduces shering & jams



Processed filter bricks

\* All dimensional data for reference only

\* Due to product improvement, the manufacturer reserves the right to alter, or amend, without notice, any of these specifications and dimensions.

## Dimentional Data and Specifications

Oil Filter Recycler	
O.A. Length "A"	205"
O.A. Width "B"	62"
O.A. Height "C"	153"
Chamber Length	40"
Base Weight	5 tons
Sump Capacity	250 gal
Cycle Time (Sec.)	75*
Brick Dimensions	6"w x 6"h x VAR

electrical	
Motor	30 hp
Power	230/460 v 3 ph
PLC Type	AB MicroLogix 1400
Controls	AB Push buttons
Main Enclosure	NEMA 12
Approvals	UL listed main panel

hydraulic	
Main Pump	47 gpm piston
Hyd. Pressure	2500 max.
Ram Cylinder	(1) 10" x 48"
Force Feed Cyl.	(1) 10" x 30"
Gate Cylinder	(1) 4" x 8"
Ram Force	196,000 lbs (max)
Force Feeder	196,000 lbs (max)
Cycle Time	75 seconds typical
Dumper Motor	3 hp
Dumper Pump	4.5 gpm vane
Dumper Cylinder	(1) 4" x 30"
Dumper Cycle	38 seconds

\* Cycle time varies with filter size

While Sebright Products, Inc., strives to make the information provided on processing of your waste or recycling stream, as timely and accurate as possible, the company makes no claims, promises or guarantees about the accuracy, completeness, or adequacy of any of the provided information, and expressly disclaims liability of errors and omissions in the content of the information, or analysis provided to your company. It is solely the responsibility of each recipient of the information Sebright Products, Inc., has provided to satisfy itself as to the accuracy of the information provided by Sebright Products, Inc., and as to the efficacy of the product(s) for the use(s) intended.