

# EPS DENSIFIER

## Proprietary PLC Operated ADCS Automated Densification Control System

Our PLC monitors & maintains both the compression ram and the discharge restrictor plate pressures. Proprietary control logic ADCS automatically controls the restrictor plate hydraulic pressure to allow EPS discharge after compression parameters are attained. This allows a wide range of EPS material to be processed without operator intervention.



127 N. Water St. Hopkins, MI 49328  
800-253-0532  
[www.sebrightproducts.com](http://www.sebrightproducts.com)



# EPS DENSIFIER

**Up to 50:1 densification through hydraulic force  
no heat - no chemicals - no fumes**

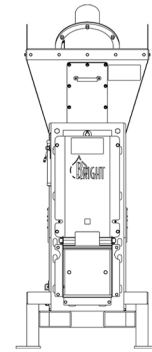
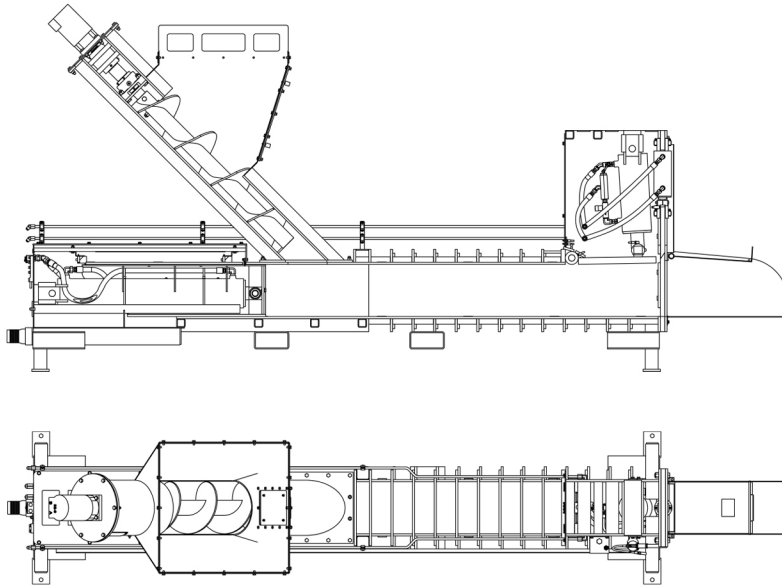


## Features & Benefits

- Consistent EPS discharge
- Integral dust collection port
- Sealed design / Clean operation
- Low labor requirements
- Low energy requirements
- PLC Modem for remote support
- Automatic discharge shear option
- Two line operator display

“ We’ve dramatically cut back on our waste hauling. That was one of our driving forces to procure this equipment.

*Kurt Kurzawa, Program Manager – Logistics Recycling & Enterprise Waste, Best Buy*



\* All dimensional data for reference only

\* Due to product improvement, the manufacturer reserves the right to alter, or amend, without notice, any of these specifications and dimensions.

## Dimentional Data and Specifications

|                          | D30              | D120               |
|--------------------------|------------------|--------------------|
| <b>Chamber volume</b>    | 2 cu.feet        | 9 cu.feet          |
| <b>Motor</b>             | 15 HP            | 30 HP              |
| <b>Cylinder</b>          | (1) 6" diameter  | (2) 7" diameter    |
| <b>Ram force</b>         | 490 PSI          | 495 PSI            |
| <b>Total force</b>       | 71,000 lbs       | 192,000 lbs        |
| <b>Feed capacity</b>     | up to 300 lbs/hr | up to 1,200 lbs/hr |
| <b>Compaction ration</b> | up to 50:1       | up to 50:1         |
| <b>Output density</b>    | 15 - 20 lbs/ft   | 16 - 22 lbs/ft     |
| <b>Machine weight</b>    | 3,700 lbs        | 10,000 lbs         |
| <b>Power unit weight</b> | 1,250 lbs        | 1,890 lbs          |

While Sebright Products, Inc., strives to make the information provided on processing of your waste or recycling stream, as timely and accurate as possible, the company makes no claims, promises or guarantees about the accuracy, completeness, or adequacy of any of the provided information, and expressly disclaims liability of errors and omissions in the content of the information, or analysis provided to your company. It is solely the responsibility of each recipient of the information Sebright Products, Inc., has provided to satisfy itself as to the accuracy of the information provided by Sebright Products, Inc., and as to the efficacy of the product(s) for the use(s) intended.